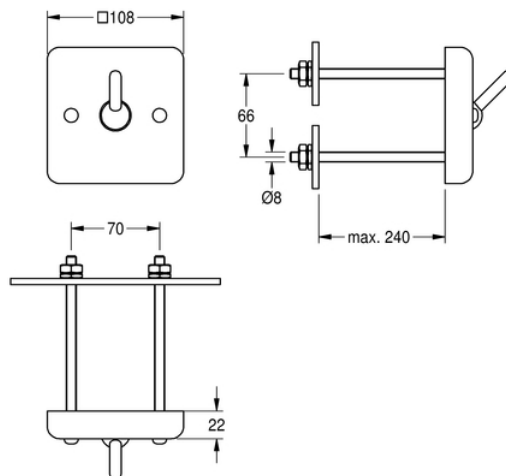


# HOOK: HDTX693

HDTX693 | 2000090047

ARTICLE GROUP : **HDTX692++** | ARTICLE FAMILY : **Hooks** | PRODUCT GROUP : **Accessories** | MODEL RANGE : **HEAVY-DUTY**



Coat hook, stainless steel, material thickness 2 mm, visible surface satin finished. Safety hook tilts downwards when overloaded, projection 30 mm from wall plate. Dimensions 108 x 108 x 52 mm (W x H x D).

mounting from behind with threaded bolts

## TECHNICAL DATA

gross weight	1.32 kg
number of hooks	1
material	stainless steel
material code	1.4301 Chrome Nickel steel V2A
material thickness	2.00 mm
net weight	1.25 kg
overall depth	52.00 mm
overall height	108.00 mm
overall width	108.00 mm
special functionality	anti ligature feature
surface finish	satin finished
type of fixing	screw
type of mounting	bolt mounting

# HOOK: HDTX693

HDTX693 | 2000090047

ARTICLE GROUP : **HDTX692++** | ARTICLE FAMILY : **Hooks** | PRODUCT GROUP : **Accessories** | MODEL RANGE : **HEAVY-DUTY**

---

## SIMILAR PART

---



---

**HOOK: HDTX692**

---

2000090046

---