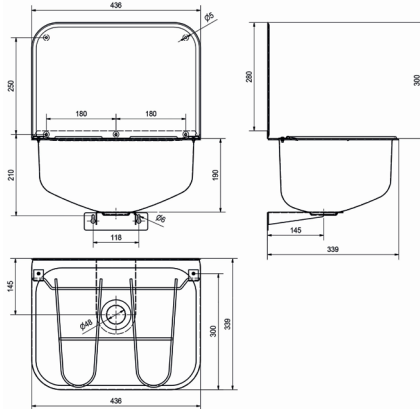


KWC

Wall mounted cleaners sink



WB440COP-UK

Wall mounted cleaners sink with grid and splash back

Wall Mounted cleaners sink manufactured from grade 1.4301 (304) stainless steel, material thickness 0.9mm, with splashback, hinged grating, 38mm BSP waste fitting and complete with integral wall bracket.
436x319x490mm

Technical data

Gross weight	4kg
Net weight	3.9kg
Splash back height	300mm
Bowl position	Centre
Bowl - bowl depth	190mm
Bowl finish	Satin finish
Grid	Hinged
Grid material	Stainless steel
Material	Stainless steel
Material code	1.4301 chrome nickel steel V2A
Overall depth	319mm
Overall height	490mm
Overall width	436mm
Rear upstand	Yes
Splash back	Yes
Surface finish	Satin finished
Tap ledge	No
Type of mounting	Wall mounted
Type of utility sink	Cleaner sink
Waste kit included	Yes