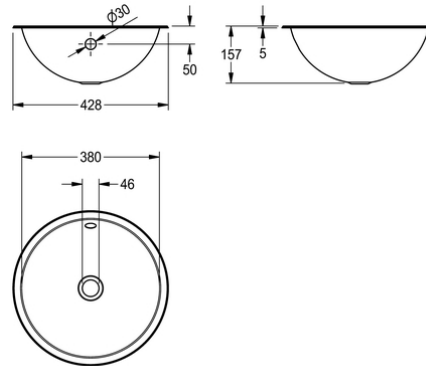


## Round basin



### RDX380

Round basin

Round inset vanity basin, can be mounted from top or underneath, stainless steel, material thickness 1 mm, bowl diameter 380 mm, with overflow, incl. 5/4" overflow kit without waste, stainless steel lugs for underneath mounting are included. Outcut diameter for mounting from top: 408 mm, outcut diameter for mounting from underneath: 370mm

#### Technical data

Bowl position	Centre
Bowl - bowl depth	157mm
Bowl finish	Satin finish
Bowl depth	380mm
Bowl shape	Circle
Bowl width	380mm
Colour	No colour
Gross weight	2.14kg
Material	Stainless steel
Material code	1.4301 chrome nickel steel V2A
Material thickness	1mm
Net weight	1.9kg
Number of bowls	1
Overall depth	428mm
Overall height	157mm
Overall width	428mm
Overflow	Yes
Rear upstand	No
Surface finish	Satin finish
Number of tap holes	0
Tap ledge	No
Type of mounting	Inset mounting
Waste hole position	Centre
Waste hole projection	214mm
Waste kit included	No
Waste size	DN 32
Siphon included	No