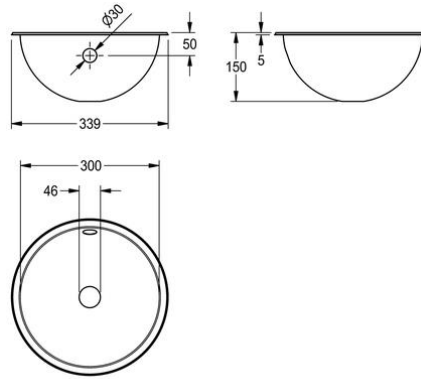


Round basin



RDX300

Round basin

Round inset vanity basin, can be mounted from top or underneath, stainless steel, material thickness 1 mm, bowl diameter 300 mm, with overflow, incl. 5/4" overflow kit without waste, stainless steel lugs for underneath mounting are included. Outcut diameter for mounting from top: 319 mm, outcut diameter for mounting from underneath: 290mm

Technical data

| | |
|-----------------------|--------------------------------|
| Bowl position | Centre |
| Bowl - bowl depth | 150mm |
| Bowl finish | Satin finish |
| Bowl depth | 300mm |
| Bowl shape | Circle |
| Bowl width | 300mm |
| Colour | No colour |
| Gross weight | 1.4kg |
| Material | Stainless steel |
| Material code | 1.4301 chrome nickel steel V2A |
| Material thickness | 1mm |
| Net weight | 1.4kg |
| Number of bowls | 1 |
| Overall depth | 339mm |
| Overall height | 150mm |
| Overall width | 339mm |
| Overflow | Yes |
| Rear upstand | No |
| Surface finish | Satin finish |
| Number of tap holes | 0 |
| Tap ledge | No |
| Type of mounting | Inset mounting |
| Waste hole position | Centre |
| Waste hole projection | 169.50mm |
| Waste kit included | No |
| Waste size | DN 32 |
| Siphon included | No |