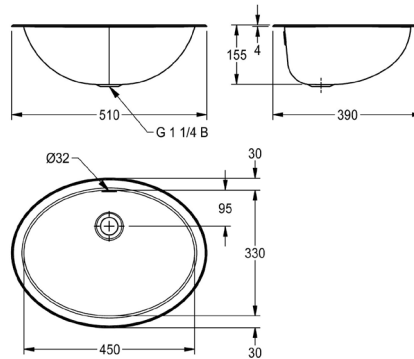


# DELABIE | DVS

## Oval basin



### RDHO450

Round basin

Round inset vanity basin, can be mounted from top or underneath, stainless steel, material thickness 1 mm, bowl diameter 450x330mm, with overflow, incl. 5/4" overflow kit without waste, stainless steel lugs for underneath mounting are included.

#### Technical data

Bowl position	Centre
Bowl - bowl depth	155mm
Bowl finish	High polished
Bowl depth	330mm
Bowl shape	Oval
Bowl width	450mm
Colour	No colour
Gross weight	3.3kg
Material	Stainless steel
Material code	1.4301 chrome nickel steel V2A
Material thickness	1mm
Net weight	3.3kg
Number of bowls	1
Overall depth	392mm
Overall height	159mm
Overall width	512mm
Overflow	Yes
Rear upstand	No
Surface finish	High polished
Number of tap holes	0
Tap ledge	No
Type of mounting	Inset mounting
Waste hole position	Centre back
Waste hole projection	131mm
Waste kit included	No
Waste size	DN 32
Siphon included	No