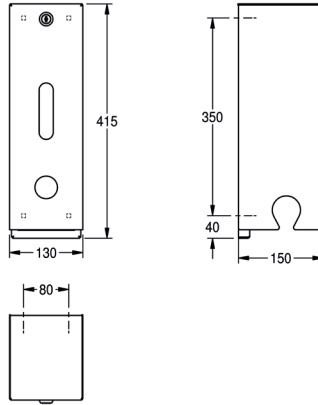


KWC

Heavy-duty Toilet roll holder

Model line: Heavy-duty | **HDTX674**



HDTX674

Heavy-duty toilet roll holder

Toilet roll holder for wall mounting, stainless steel, surface satin finished, material thickness 14 gauge (2 mm), casing is held in place by a stainless steel rod fixed to the mounting plate and a security lock, paper withdrawal over tear-off edge, for three rolls with max. 120mm width and max. diameter 115 mm, without spindles, reserve rolls visible, inclusive stainless steel screws and dowels.
Dimensions 130 x 415 x 150 mm (W x H x D)

Technical data

| | |
|--|--------------------------------|
| Material thickness | 2mm |
| Overall depth | 150mm |
| Overall height | 415mm |
| Overall width | 130mm |
| Maximum depth / diameter of consumable | 115mm |
| Maximum width of consumable | 120mm |
| Material | Stainless steel |
| Material code | 1.4301 chrome nickel steel V2A |
| Surface finish | Satin finished |
| Type of fixing | Screw |
| Filling quantity | 3 Rolls |
| Lock | Key screw lock |
| Spindle | No |