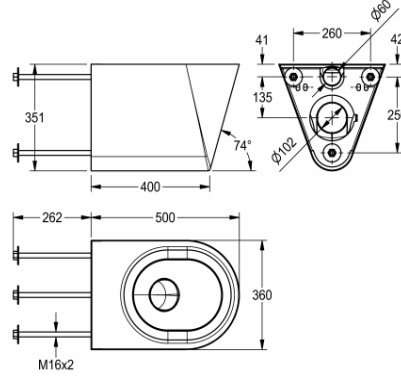


# DELABIE | DVS

Heavy duty wall mounted bolt fix WC pan without seat



## HDTX592

Heavy duty WC

Manufactured from 1.5mm thick grade 1.4301 (304) stainless steel with a satin polish finish. Designed with a shrouded 100mm diameter horizontal 'P' trap outlet and a press seat area tapered towards the centre with curved edges. Concealed flushing rim with minimum of 4 litre flushing capacity which conforms to EN33 and is certificated to EN 997. Supplied with mounting plate and three bolts for wall mounting through a duct wall.

### Technical data

Gross weight	15.9kg
Inlet size	DN 55
Material	Stainless steel
Material code	1.4301 chrome nickel steel V2A
Material thickness	1.6mm
Minimum flushing capacity	4 litre
Net weight	13.74kg
Outlet size	DN 100
Overall depth	500mm
Overall height	351mm
Overall width	360mm
Surface finish	Satin finished
Type of mounting	Bolt fix with duct wall
Type of toilet seat	No seat
Type of WC	Wall hung

Products can be foam filled, on request, for extra strength and reduction of noise in a security environment.