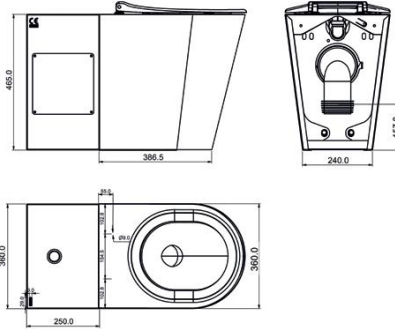


## Accessible WC



### G21748N

Accessible WC

Floor standing disabled persons WC pan, manufactured from grade 1.4301 (304) stainless steel - satin polish finish, material thickness of 1.5mm for the pan and shroud with a stainless steel P trap 102mm o/d, supplied complete with multikwik connector. A flush bend and 90° plastic bend are provided for the cistern downpipe connection. Rear mounting plate with 4 no. stainless steel bolts supplied, for mounting onto duct wall.

The front of the WC is fixed to the floor using a joggle strip. Pipe fixing is achieved by using the side access panel provided. The WC is supplied with a disabled person's white plastic seat. WC supplied without hole. WC supplied with hole for downpipe can be supplied on request.

Dimensions 360 x 400 x 750 mm (W x H x D)

#### Technical data

Material thickness	1.5mm
Overall depth	750mm
Overall height	400mm
Overall width	360mm
Material	Stainless steel
Material code	1.4301 chrome nickel steel V2A
Tailor made	No
Type of mounting	Wall and floor mounting
Surface finish	Satin finished
Outlet size	DN 100
Type of WC	Floor standing
Minimum flush capacity	4 litre