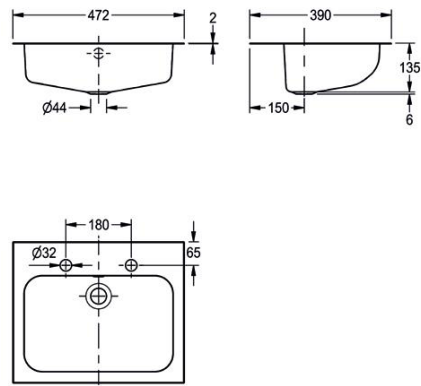


DELABIE | DVS

Inset washbasin



D20168N

Inset washbasin

Manufactured from 0.9mm thick grade 1.4301 (304) stainless steel. Prepared with a 32mm centre waste outlet and overflow hole and a rear ledge with two tap holes suitable for either basin taps or mixer taps. Supplied with fixing clips for inseting into worktops. Waste kit is available as an extra.

Technical data

Bowl - bowl depth	131mm
Bowl finish	Satin finish
Bowl - depth	410mm
Bowl shape	Rounded rectangle
Bowl width	265mm
Gross weight	2.3kg
Material	Stainless steel
Material code	1.4301 chrome nickel steel V2A
Material thickness	0.9mm
Overall depth	390mm
Overall height	146mm
Overall width	472mm
Overflow	Yes
Rear upstand	No
Splash back	No
Surface finish	Satin finish
Tap ledge	Yes
Type of mounting	Inset mounting
Waste hole position	Centre back
Waste kit included	Yes
Waste size	DN 25
Net weight	2.3kg

DELABIE | DVS

Inset washbasin

Mandatory accessories



Mandatory accessories

F2117
32mm waste, plug, chain and overflow

Complimentary accessories



Complimentary accessories

F1074N
3mm high neck lever tap