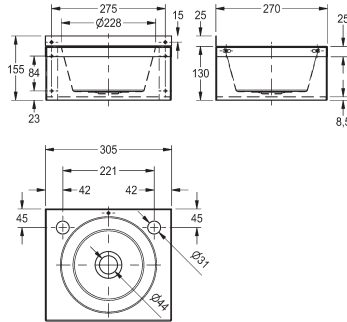


**KWC**

Model A washbasin



## D20161N

Model A washbasin - wall mounted

Washbasin top manufactured from 0.9mm thick, grade 1.4301 (304) stainless steel - high polish finish. The apron support is made from 0.9mm (430) material - high polish finish. Prepared for 32mm waste outlet and is supplied with two tapholes in the rear ledge. Note: It is not possible to fit an overflow in the bowl. Wall mounting by using the fixing holes provided in both the rear upstand and the rear apron fixing brackets.

Screws and plugs are not supplied.  
With 32mm waste, plug and chain

### Technical data

Gross weight	0.9kg
Net weight	0.77kg
Depressurised	No
Functional principle	Manual-C
Hygiene flushing	No
Material fitting	Brass
Minimum flow pressure	0.1 bar
Type of mixing	With mixer
Spout projection	75mm
Surface finish fitting	Chromium-plated brass
Type of mounting	Mounted on product
Type of operation	Manual operation
Type of tap	Pillar tap
Volume flow rate at 3 bar	0.6 litre per second