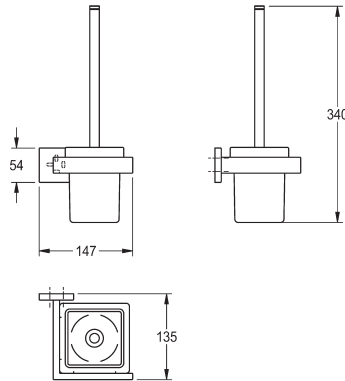


## CUBUS Toilet brush holder

Model line: **CUBUS** | **CUBX005HP**



### **CUBX005HP**

CUBUS stainless steel toilet brush holder

Toilet brush holder for wall mounting, 304 stainless steel handle with nylon brush, square glass cup, square cover with drilled hole on bottom for fixation, includes stainless steel screws and dowels.  
Surface high polished  
Dimensions 147 x 340 x 135 mm (W x H x D)

### Technical data

Brush colour	White
Material	Stainless steel
Material code	1.4301 chrome nickel steel V2A
Overall depth	135mm
Overall height	340mm
Overall width	147mm
Surface finish	High polished
Tailor made	No
Type of brush	Nylon
Type of fixing	Screw
Type of mounting	Wall mounting