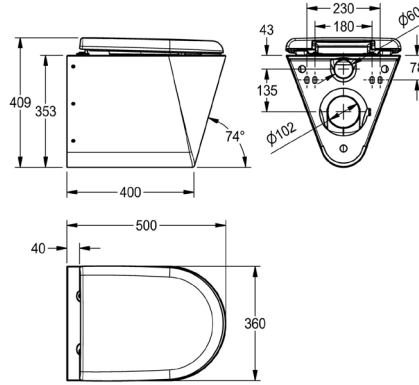


Wall hung WC pan



CMPX592WN

Wall hung WC pan

Wall hung WC pan, stainless steel, surface satin finished, material thickness 1.5 mm, flushing certificated to EN 997, concealed flushing rim with min. 4 litre flushing capacity, with a shrouded 100mm diameter horizontal 'P' trap outlet, pressed seat area tapered towards centre, all edges curved, fixing with mounting plate supplied, conform to EN 33, includes security screws. 4 litre flush EN997 approved.

With white WC-seat
Dimensions 360 x 409 x 500 mm (W x H x D)

Technical data

Inlet size	DN 55
Material	Stainless steel
Material code	1.4301 chrome nickel steel V2A
Material thickness	1.5mm
Minimum flushing capacity	4 litre
Outlet size	DN 100
Overall depth	500mm
Overall height	409mm
Overall width	360mm
Toilet seat colour	White
Surface finish	Satin finish
Type of mounting	Wall mounting
Type of toilet seat	Synthetic hinged seat with lid
Type of WC	Wall hung