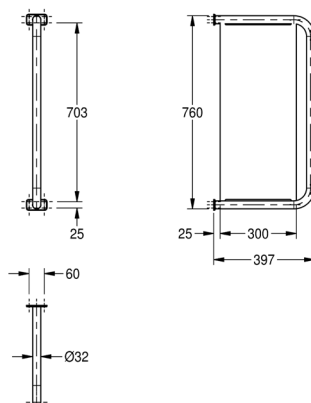


Urinal divider



CMPX560

Urinal divider

Urinal divider for wall mounting, stainless steel, surface satin finished, material thickness 1.5 mm, 32 mm pipe diameter, with two stainless steel covers for hidden mounting, included screws and dowels.

Technical data

Gross weight	5.85kg
Net weight	4.9kg
Material	Stainless steel
Material code	1.4301 chrome nickel steel V2A
Material thickness	1.5mm
Overall depth	397mm
Overall height	760mm
Overall width	32mm
Surface finish	Satin finish
Type of mounting	Wall mounting