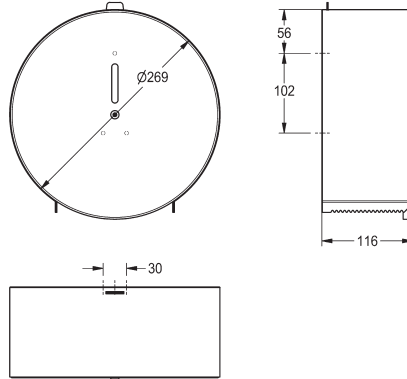


## KWC

### Jumbo toilet roll holder



#### CHR669

Jumbo toilet roll holder

Jumbo roll holder for wall mounting, stainless steel, surface satin finished, material thickness 0.8 mm, cylinder lock with KWC standard key, closed round casing with inspection window, paper withdrawal over two tear-off edges, for 1 roll with max. diameter 260 mm, includes stainless steel screws and dowels.

Dimensions 269 x 269 x 116 mm (W x H x D)

#### Technical data

Maximum depth/diameter of consumable	260mm
Maximum width of consumable	105mm
Filling quantity	1 roll
Lock	Key-lock
Material	Stainless steel
Material code	1.4301 chrome nickel steel V2A
Material thickness	0.8mm
Overall depth	116mm
Overall height	269mm
Overall width	269mm
Spindle	Yes
Surface finish	Satin finished
Tailor made	No
Type of fixing	Screw
Type of mounting	Wall mounting