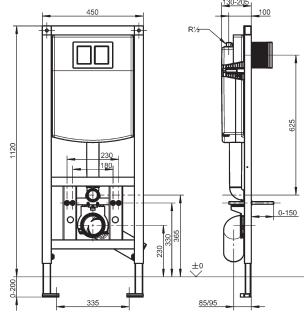


**KWC**

## AQUAFIX installationframe for WC pan

Model line: AQUAFIX | **AQFX0006**



### AQFX0006

Installation frame for WC pan, with wall-installation cistern

AQUAFIX installation element for wall-mounted toilet bowl, with wall-installation cistern. Self-supporting, powder coated steel-frame construction, TÜV tested, for individual mounting for dry-wall lining. Concealed toilet cistern with water condensation insulation, with dual-volume flushing (7,5-4,5 l or 4-2 l) or Start/Stop flushing, triggering function transferred via flexible pressure spirals, charge valve noise group I.

#### Technical data

Application	WC flush valve
Barrier-free	No
Built-in fitting model	Built-in section
Height adjustment	200mm
Diameter nominal	DN 15
Material	Steel
Minimum wall thickness	155mm
Type of mixing	No
Outlet size	DN 100
Overall depth	155mm
Overall height	1,120mm
Overall width	450mm
Tailor made	No
Type	Installation element
Type of mounting	Wall and floor mounting

Mounting bracket 4-fold adjustable for toilet-connecting elbow DN 90/DN 100, complete with flexible connecting hose, toilet-connecting elbow, retaining bolts for toilet, building protection and fastening material.

Dimensions 450 x 1120 mm (W x H)

## KWC

### AQUAFIX installationframe for WC pan

Model line: AQUAFIX | **AQFX0006**

#### Mandatory accessories for wall-installation cistern



#### Mandatory accessories

**AQUA557**  
Flushing plate with 1 button

#### Mandatory accessories

**AQUA555**  
Flushing plate with 2 buttons

#### Mandatory accessories

**EXOS0027**  
EXOS - A3000 open electronic WC controller

#### Mandatory accessories

**AT300051**  
AQUATIMER - A3000 open electronic WC controller

#### Optional accessories



#### Optional accessories

**ZCMPX140**  
AQUAFIX wall bracket