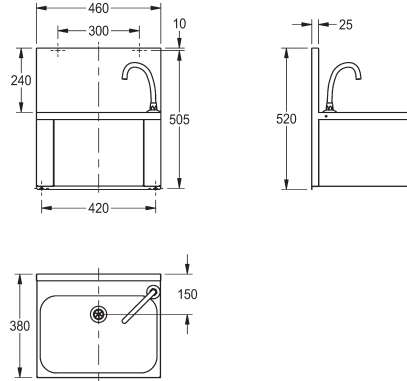


KWC

Knee-operated wash basin



ANMX206

Knee-operated wash basin

Knee operated wash hand basin is manufactured from stainless steel - satin polish finish, material thickness 0.9mm. Supplied complete with water spout positioned in rearright hand corner and 32mm waste outlet. Note: The pre-mixing valve and the pipework linking the water spout to the knee operated front panel is all supplied with the washbasin.

Wall mounted by fitting a top joggle strip under the upstand return and by screw fixing through the integral rear brackets. Screws and plugs are not supplied.

Technical data

Bowl - bowl depth	265mm
Bowl finish	Satin finished
Bowl depth	410mm
Bowl shape	Rounded rectangle
Gross weight	6.3kg
Material	Stainless steel
Material code	1.4301 chrome nickel steel V2A
Material thickness	0.9mm
Net weight	6kg
Overall depth	380mm
Overall height	520mm
Overall width	460mm
Overflow	No
Rear upstand	No
Splash back	Yes
Surface finish	Satin finished
Tap hole position	Right
Tap ledge	Yes
Type of mounting	Wall mounting
Waste hole position	Centre back
Waste kit included	Yes
Waste size	DN 32