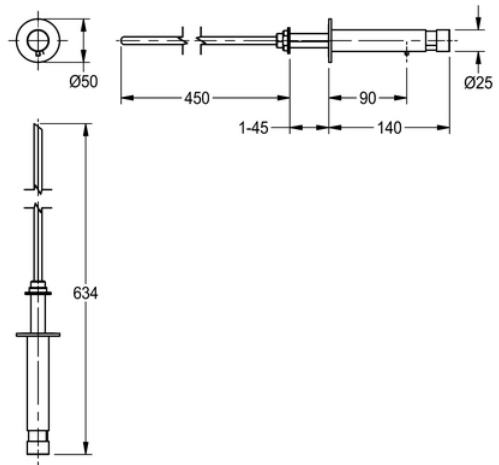


SOAP DISPENSER: SD110

SD110 | 2000102699

ARTICLE GROUP : **SD110** | ARTICLE FAMILY : **Soap dispensers** | PRODUCT GROUP : **Accessories**



Soap dispenser for wall mounting and re-filling from Serviceroom behind the wall, high polished chromated brass, requires 18 mm drilling hole, 3/8" thread, spout not movable, suitable for liquid soaps and lotions, without soap tank (can be directly connected to soap can), for filling from behind the wall.

TECHNICAL DATA

gross weight	0.16 kg
lock	no lock
material	brass
net weight	0.16 kg
overall depth	634.00 mm
overall height	50.00 mm
overall width	50.00 mm
surface finish	chromed
type of consumable	liquid soap
type of fixing	screw
type of mounting	counter top mounting
type of operation	manual operation
type of soap container	external refillable tank

SOAP DISPENSER: SD110

SD110 | 2000102699

ARTICLE GROUP : **SD110** | ARTICLE FAMILY : **Soap dispensers** | PRODUCT GROUP : **Accessories**

CONSUMABLE



LIQUID SOAP: SO10L

2000057168



LIQUID SOAP: SO1L

2000057162
