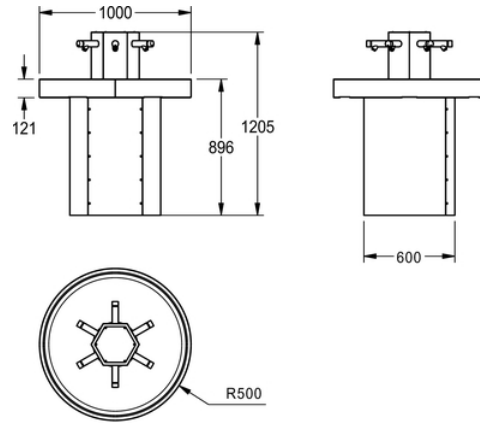


CIRCULAR WASH TROUGH: SANX600

SANX600 | 2000100747

PRODUCT GROUP : **Wash basins** | ARTICLE FAMILY : **Wash troughs** | ARTICLE GROUP : **SANX600 ++** | MODEL RANGE : **ANIMA**



Designed to be highly durable and water efficient and to withstand intensive use in a busy environments, the circular washtroughs are highly vandal resistant. The products are for up to 6 person operation with a choice of non-touch infra-red controls or manually operated self closing taps, designed to save water and energy with adjustable flow time. Both tap options are available with soap dispensers. The large floor mounted base provides good stability. Services are fed from below and can be accessed through a side panel which are fitted with tamper proof security screws. The use of a single water supply and waste has a significant cost saving compared to conventional washbasins which need water supply and waste for each basin. Delivered fully assembled. Junior height version also available. Requires a minimum of 3.5 bar water pressure.

CE Certified

with 6 self-closing bibtap, for connection to pre-mixed warm water

TECHNICAL DATA

gross weight	71.00 kg
material	stainless steel
material code	1.4301 Chrome Nickel steel V2A
material thickness	1.50 mm
net weight	67.00 kg
overall depth	1,000.00 mm
overall height	1,205.00 mm
overall width	1,000.00 mm
rear upstand	no
splash back	no
type of mounting	floor mounting
number of wash places	6

CIRCULAR WASH TROUGH: SANX600

SANX600 | 2000100747

PRODUCT GROUP : **Wash basins** | ARTICLE FAMILY : **Wash troughs** | ARTICLE GROUP : **SANX600 ++** | MODEL RANGE : **ANIMA**

SPARE PART



**SELF-CLOSING BIB TAP:
AQUA205W**

2000065911
