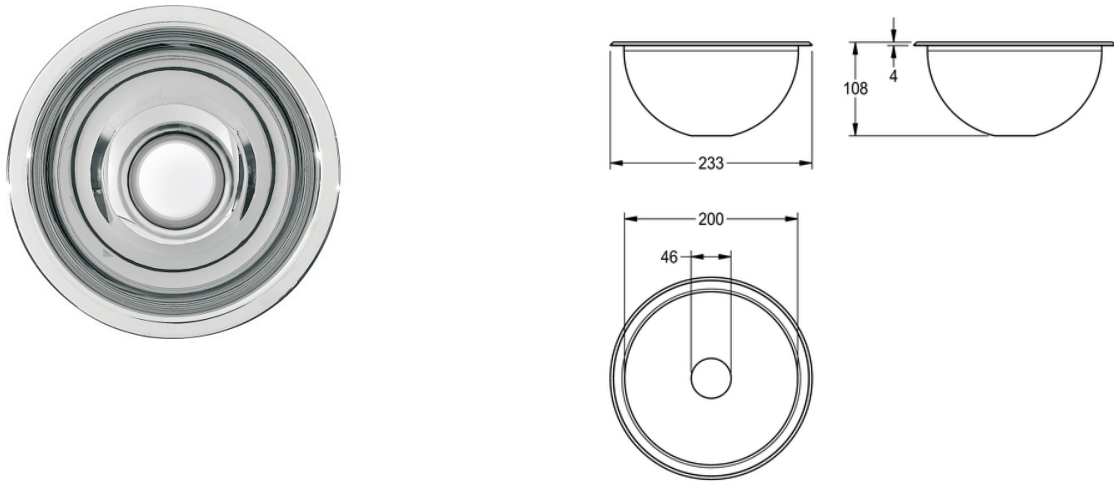


# ROUND BASIN: RNDX200

RNDX200 | 2000056331

PRODUCT GROUP : Wash basins | ARTICLE FAMILY : Wash basins | ARTICLE GROUP : RNDH200 ++ | MODEL RANGE : RONDO



Round inset vanity basin, can be mounted from top or underneath, stainless steel, material thickness 1 mm, bowl diameter 200 mm, without overflow, incl. 5/4" flat perforated and plug waste, stainless steel lugs for underneath mounting are included. Outcut diameter for mounting from top: 212 mm, outcut diameter for mounting from underneath: 190 mm

surface satin finished

## TECHNICAL DATA

bowl position	center
bowl - bowl depth	110.00 mm
bowl finish	satin finished
bowl - depth	200.00 mm
bowl shape	circle
bowl - width	200.00 mm
colour	no colour
gross weight	0.95 kg
material	stainless steel
material code	1.4301 Chrome Nickel steel V2A
material thickness	1.00 mm
net weight	0.95 kg
number of bowls	1.0000000000000000E+00
overall depth	233.00 mm
overall height	110.00 mm
overall width	233.00 mm
overflow	no
rear upstand	no
siphon included	no
splash back	no
surface finish	satin finished
number of tap holes	0

tap ledge	no
type of mounting	inset mounting
waste hole position	centre
waste hole projection	116.50 mm
waste kit included	yes
waste size	DN 32