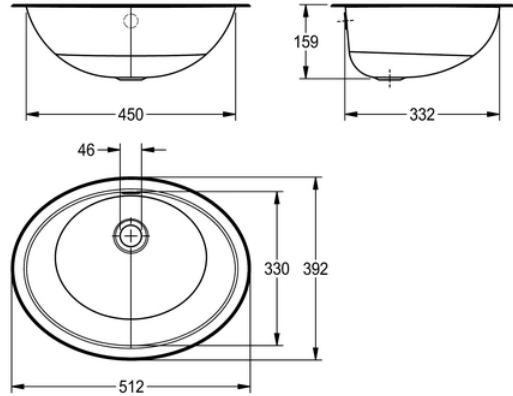


# OVAL BASIN: RNDH450-O

RNDH450-O | 2000056539

PRODUCT GROUP : Wash basins | ARTICLE FAMILY : Wash basins | ARTICLE GROUP : RNDH450-O ++ | MODEL RANGE : RONDO



Round inset vanity basin, can be mounted from top or underneath, stainless steel, material thickness 1 mm, bowl diameter 450x330 mm, with overflow, incl. 5/4" overflow kit without waste, stainless steel lugs for underneath mounting are included.

surface high-polished

## TECHNICAL DATA

bowl position	center
bowl - bowl depth	155.00 mm
bowl finish	high polished
bowl - depth	330.00 mm
bowl shape	oval
bowl - width	450.00 mm
colour	no colour
gross weight	3.30 kg
material	stainless steel
material code	1.4301 Chrome Nickel steel V2A
material thickness	1.00 mm
net weight	3.30 kg
number of bowls	1.0000000000000000E+00
overall depth	392.00 mm
overall height	159.00 mm
overall width	512.00 mm
overflow	yes
rear upstand	no
siphon included	no
splash back	no
surface finish	high polished
number of tap holes	0
tap ledge	no

type of mounting	inset mounting
waste hole position	centre back
waste hole projection	131.00 mm
waste kit included	no
waste size	DN 32