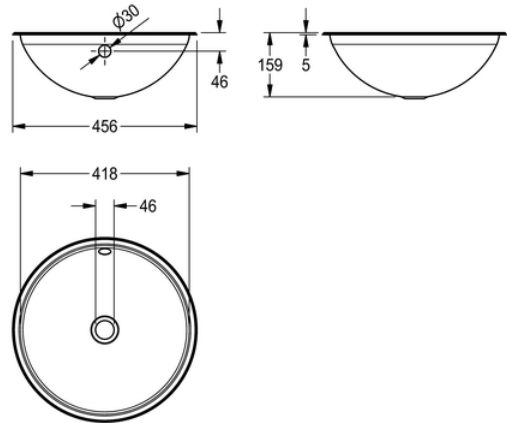


ROUND BASIN: RNDH420

RNDH420 | 2000056536

PRODUCT GROUP : Wash basins | ARTICLE FAMILY : Wash basins | ARTICLE GROUP : RNDH420 ++ | MODEL RANGE : RONDO



Round inset vanity basin, can be mounted from top or underneath, stainless steel, material thickness 1 mm, bowl diameter 418 mm, with overflow, incl. 5/4" overflow kit without waste, stainless steel lugs for underneath mounting are included. Outcut diameter for mounting from top: 436 mm, outcut diameter for mounting from underneath: 410 mm

surface high-polished

TECHNICAL DATA

bowl position	center
bowl - bowl depth	160.00 mm
bowl finish	high polished
bowl - depth	418.00 mm
bowl shape	circle
bowl - width	418.00 mm
colour	no colour
gross weight	2.70 kg
material	stainless steel
material code	1.4301 Chrome Nickel steel V2A
material thickness	1.00 mm
net weight	2.50 kg
number of bowls	1.0000000000000000E+00
overall depth	456.00 mm
overall height	160.00 mm
overall width	456.00 mm
overflow	yes
rear upstand	no
siphon included	no
splash back	no
surface finish	high polished
number of tap holes	0

tap ledge	no
type of mounting	inset mounting
waste hole position	centre
waste hole projection	228.00 mm
waste kit included	yes
waste size	DN 32

ROUND BASIN: RNDH420

RNDH420 | 2000056536

PRODUCT GROUP : **Wash basins** | ARTICLE FAMILY : **Wash basins** | ARTICLE GROUP : **RNDH420 ++** | MODEL RANGE : **RONDO**

ACCESSORY



SELF-CLOSING PILLAR

TAP: AQUA201

2000061898
