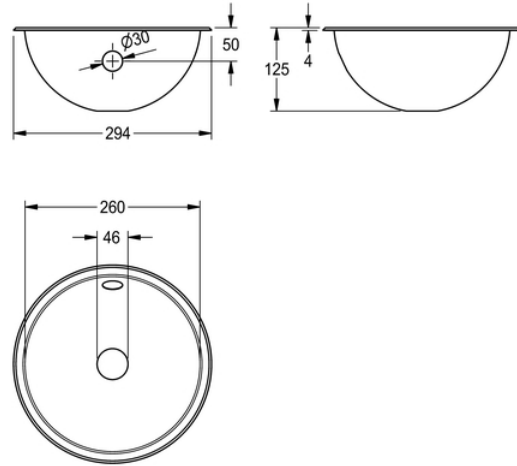


# ROUND BASIN: RNDH260

RNDH260 | 2000056335

PRODUCT GROUP : Wash basins | ARTICLE FAMILY : Wash basins | ARTICLE GROUP : RNDH260 ++ | MODEL RANGE : RONDO



Round inset vanity basin, can be mounted from top or underneath, stainless steel, material thickness 1 mm, bowl diameter 260 mm, with overflow, incl. 5/4" overflow kit without waste, stainless steel lugs for underneath mounting are included. Outcut diameter for mounting from top: 274 mm, outcut diameter for mounting from underneath: 250 mm

surface high-polished

## TECHNICAL DATA

bowl position	center
bowl - bowl depth	125.00 mm
bowl finish	high polished
bowl - depth	260.00 mm
bowl shape	circle
bowl - width	260.00 mm
colour	no colour
gross weight	1.05 kg
material	stainless steel
material code	1.4301 Chrome Nickel steel V2A
material thickness	1.00 mm
net weight	0.85 kg
number of bowls	1.0000000000000000E+00
overall depth	294.00 mm
overall height	125.00 mm
overall width	294.00 mm
overflow	yes
rear upstand	no
siphon included	no
splash back	no
surface finish	high polished
number of tap holes	0

tap ledge	no
type of mounting	inset mounting
waste hole position	centre
waste hole projection	147.00 mm
waste kit included	no
waste size	DN 32

# ROUND BASIN: RNDH260

RNDH260 | 2000056335

PRODUCT GROUP : **Wash basins** | ARTICLE FAMILY : **Wash basins** | ARTICLE GROUP : **RNDH260 ++** | MODEL RANGE : **RONDO**

---

## ACCESSORY

---



---

**SELF-CLOSING PILLAR**

**TAP: AQUA201**

---

2000061898

---