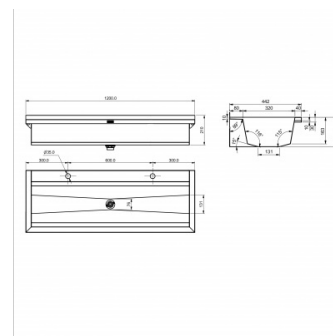


# STAINLESS STEEL WASHTROUGH

PL12T-UK | 203.0563.654

PRODUCT GROUP : **Wash basins & Washtroughs** | ARTICLE GROUP : **PL8 ++** | LIFECYCLE : **New** | MODEL RANGE : **PLANOX** | ARTICLE FAMILY : **Washtroughs**



PLANOX seamless welded washtrough for wall mounting, chromium nickel steel, satin finished surface, material thickness of washtrough 0.8 mm / side panels 1.2 mm, side panels with integrated wall brackets, lowered tap ledge 80 mm, with two tap holes, no overflow, 40 mm rear upstand and central waste. Supplied with 38mm dome waste and mounting materials. For a length of 1800 mm or more, an additional bracket is supplied. Optional shroud and splashback are available as extras. Special lengths are available on request.

Dimensions 1200 x 210 x 442 mm (W x H x D)

## TECHNICAL DATA

Gross weight	10.55 kg
Net weight	8.71 kg
splash back height	30.00 mm
Bowl height	180.00 mm
Bowl width	320.00 mm
Bowl depth	1,120.00 mm
Material	Stainless steel
Material code	1.4301 Chrome Nickel steel V2A
Number of waste holes	1
Overall depth	442.00 mm
Overall height	210.00 mm
Overall width	1,200.00 mm
Rear upstand	no
Splash back	optional
Surface finish	satin finished
Number of tap holes	2
Tap ledge	yes
Type of mounting	Wall mounting
Type of waste kit	perforated waste
Waste hole position	Centre
Waste hole projection	242.00 mm
Waste kit included	No

Product code	203.0563.654
--------------	--------------