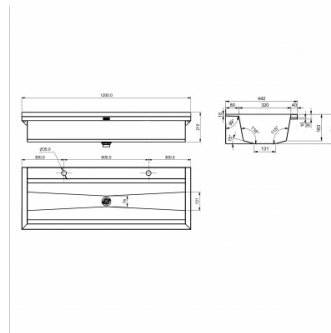


STAINLESS STEEL WASHTROUGH

PL12-UK | 203.0564.752

PRODUCT GROUP : **Wash basins & Washtroughs** | ARTICLE GROUP : **PL8 ++** | LIFECYCLE : **New** | MODEL RANGE : **PLANOX** | ARTICLE FAMILY : **Washtroughs**



PLANOX seamless welded washtrough for wall mounting, chromium nickel steel, satin finished surface, material thickness of washtrough 0.8 mm / side panels 1.2 mm, side panels with integrated wall brackets, without tap ledge or overflow, 40 mm rear upstand, central waste. Supplied with 38mm dome waste and mounting materials. For a length of 1800 mm or more, an additional bracket is supplied. Optional shroud and splashback are available as extras. Special lengths are available on request.

Dimensions 1200 x 210 x 382 mm (W x H x D)

TECHNICAL DATA

| | |
|-----------------------|--------------------------------|
| Gross weight | 9.50 kg |
| Net weight | 7.66 kg |
| splash back height | 30.00 mm |
| Bowl height | 180.00 mm |
| Bowl width | 320.00 mm |
| Bowl depth | 1,120.00 mm |
| Material | Stainless steel |
| Material code | 1.4301 Chrome Nickel steel V2A |
| Number of waste holes | 1 |
| Overall depth | 382.00 mm |
| Overall height | 210.00 mm |
| Overall width | 1,200.00 mm |
| Rear upstand | no |
| Splash back | optional |
| Surface finish | satin finished |
| Number of tap holes | 0 |
| Tap ledge | no |
| Type of mounting | Wall mounting |
| Type of waste kit | perforated waste |
| Waste hole position | Centre |
| Waste hole projection | 182.00 mm |
| Waste kit included | No |

Product code

203.0564.752
