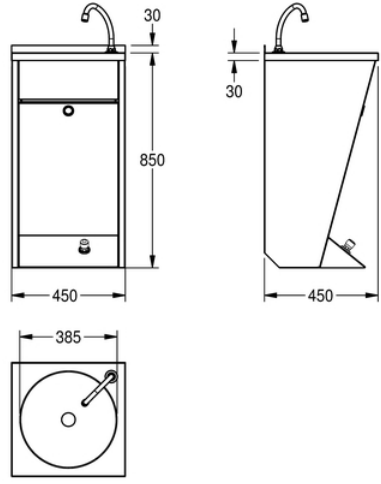


WASH BASIN FOOT OPERATION: LP21

LP21 | 2000057084

PRODUCT GROUP : Wash basins | ARTICLE FAMILY : Wash basins | ARTICLE GROUP : LP21 | MODEL RANGE : ANIMA



Single wash basin for floor or wall mounting, stainless steel, surface satin finished, material thickness 1 mm, seamless welded round bowl with diameter 380 mm, rectangular shape, 35 mm tap ledge, without overflow, 1 1/4" plug waste, drainage centric, incl. premounted spout, floor standing trap cover with premounted self-closing valve for foot operation, water temperature adjustable with valve, front cover can be removed, incl. screws and dowels.

TECHNICAL DATA

bowl position	center
bowl - bowl depth	145.00 mm
bowl finish	satin finished
bowl - depth	385.00 mm
bowl shape	circle
bowl - width	385.00 mm
colour	no colour
gross weight	16.60 kg
material	stainless steel
material code	1.4301 Chrome Nickel steel V2A
material thickness	1.00 mm
net weight	12.50 kg
number of bowls	1.0000000000000000E+00
overall depth	450.00 mm
overall height	880.00 mm
overall width	450.00 mm
overflow	no
rear upstand	no
siphon included	no
splash back	component of another part
surface finish	satin finished
number of tap holes	1

tap hole diameter	35.00 mm
tap hole position	right
tap ledge	no
type of mounting	wall and floor mounting
type of waste kit	plug waste
waste hole position	centre
waste kit included	yes
waste size	DN 32
type of basin	vanity basin
siphon diameter	DN 32
spillway	no
upper edge of basin height	850.00 mm
waste hole projection	225.00 mm
splash back height	30.00 mm