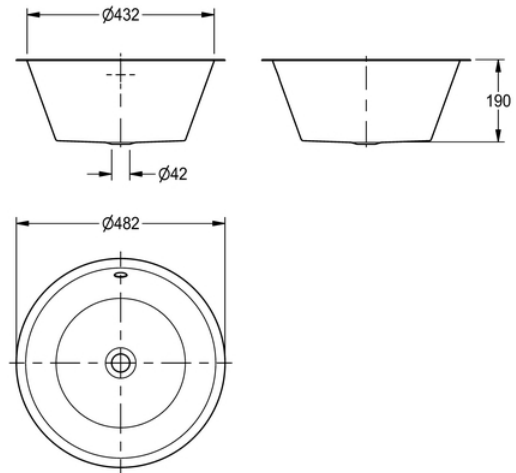


ROUND INSERT SINK BOWL: D20144N

D20144N | 2000100232

PRODUCT GROUP : Wash basins | ARTICLE FAMILY : Wash basins | ARTICLE GROUP : D20144N



This range of round inset sink bowls is manufactured from 1.2mm thick, grade 1.4301 (304) stainless steel, satin polish finish. All the bowls incorporate a rimmed edge for inseting into a worktop. All three bowls are prepared for a 32mm waste outlet. Waste fittings can be supplied as an extra. No tapholes are provided, any taps to be fitted must be mounted either through the worktop or wall mounted. Supplied complete with fixing adhesive. NOTE: It may be necessary to notch the worktop when fitting an overflow.

CE Certified

TECHNICAL DATA

bowl - bowl depth	190.00 mm
bowl finish	satin finished
bowl - depth	432.00 mm
bowl shape	circle
gross weight	3.50 kg
material	stainless steel
material code	1.4301 Chrome Nickel steel V2A
material thickness	1.20 mm
overall height	190.00 mm
overall width	482.00 mm
overflow	yes
rear upstand	no
splash back	no
surface finish	satin finished
tap ledge	no
type of mounting	inset mounting
waste hole position	centre
waste size	DN 32
net weight	2.90 kg

