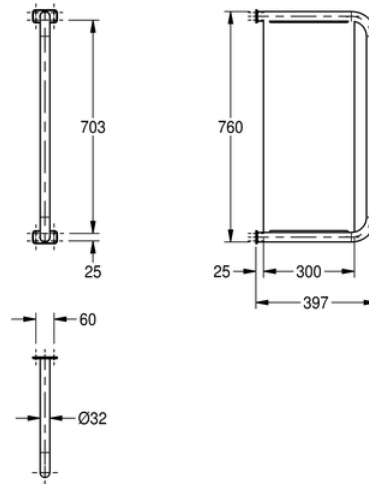


URINAL DIVIDER: CMPX560

CMPX560 | 2000056972

ARTICLE GROUP : **CMPX560** | ARTICLE FAMILY : **Urinal divider** | PRODUCT GROUP : **Urinals / WC** | MODEL RANGE : **CAMPUS**



Urinal divider for wall mounting, stainless steel, surface satin finished, material thickness 1.5 mm, 32 mm pipe diameter, with two stainless steel covers for hidden mounting, included screws and dowels.

TECHNICAL DATA

gross weight 5.85 kg

net weight 4.90 kg

material stainless steel

material code 1.4301 Chrome Nickel steel V2A

material thickness 1.50 mm

overall depth 397.00 mm

overall height 760.00 mm

overall width 32.00 mm

surface finish satin finished

type of mounting wall mounting