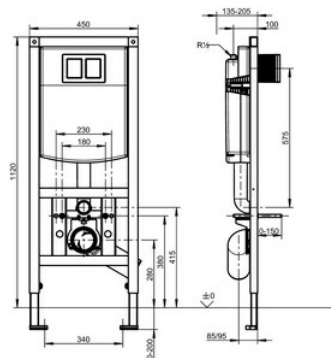


INSTALLATION ELEMENT: AQFX0007

AQFX0007 | 2030020128

ARTICLE GROUP : **AQFX0007** | ARTICLE FAMILY : **Installation units wc** | PRODUCT GROUP : **Installation units** |
MODEL RANGE : **CAMPUS**



AQUAFIX installation frame for barrier-free wall-mounted toilet bowl, with wall-installation cistern. Self-supporting, powder coated steel-frame construction, TÜV tested, for individual mounting for dry-wall lining. Concealed toilet cistern with watercondensation insulation, with dual-volume flushing (7,5-4,5 l or 4-2 l) or Start/Stop flushing, triggering function transferred via flexible pressure spirals, charge valve noise group I, mounting bracket 4-fold adjustable for toilet-connecting elbow DN 90 / DN 100, complete with flexible connecting hose, toilet-connecting elbow, retaining bolts for toilet, building protection and fastening material, dimensions 450 x 1120 mm (W x H).

TECHNICAL DATA

application	wc flushing
barrier-free	yes
gross weight	13.10 kg
height adjustment	200.00 mm
diameter nominal	DN 15
material	steel
minimum wall thickness	155.00 mm
type of mixing	no mixing
net weight	12.45 kg
outlet size	DN 100
overall depth	155.00 mm
overall height	1,120.00 mm
overall width	450.00 mm
type	installation element
type of mounting	wall and floor mounting

INSTALLATION ELEMENT: AQFX0007

AQFX0007 | 2030020128

ARTICLE GROUP : **AQFX0007** | ARTICLE FAMILY : **Installation units wc** | PRODUCT GROUP : **Installation units** |
MODEL RANGE : **CAMPUS**

MANDATORY PART



FLUSHING PLATE:
AQUA557

2000067429



FLUSHING PLATE:
AQUA555

2000067493
