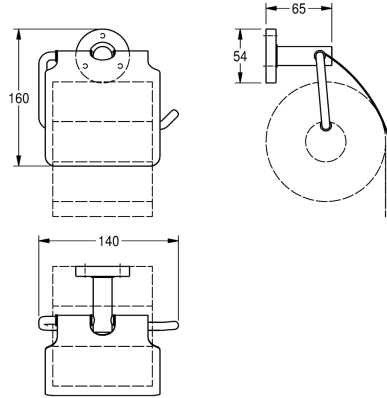


## KWC

### MEDIUS toilet brush holder

Model line: MEDIUS | **MEDX005HP**



#### **MEDX005HP**

Toilet brush holder

Toilet brush holder for wall mounting, 304 stainless steel handle with nylon brush, glass cup, round covers to conceal the fixing of screws, includes stainless steel screws and dowels.

Surface high polished

Dimensions 115 x 340 x 140 mm (W x H x D)

#### **Technical data**

Brush colour	White
Material	Stainless steel
Material code	1.4301 chrome nickel steel V2A
Overall depth	140mm
Overall height	340mm
Overall width	115mm
Surface finish	High polished
Tailor made	No
Type of brush	Nylon
Type of fixing	Screw
Type of mounting	Wall mounting