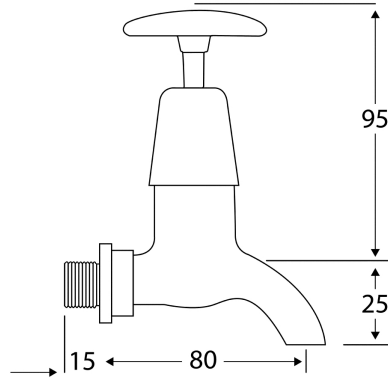


KWC

Wall mounted BIB taps



F1071/3N

Wall mounted BIB taps

The 13 mm bib taps are designed for wall mounting. In order to gain extra clearance under the spout an extension tube is available (sold separately). Manufactured from chromium plated brass. Conforms to BS5412 standard.

Technical data

Tailor made	No
Type of operation	Manual operation
Material fitting	Brass
Type of mixing	With mixing
Surface finish fitting	Chromed
Type of tap	Bib tap
Minimum flow pressure	0.1 bar
Spout projection	80mm
Volume flow rate at 3 bar	0.6 litre per second
Depressurised	No
Functional principle	Manual
Hygiene flushing	No