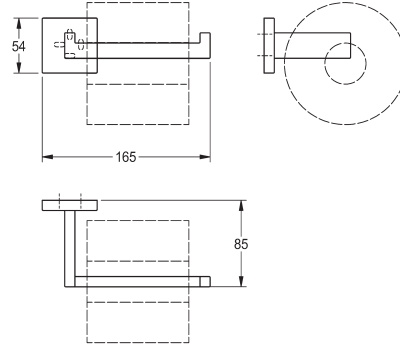


## KWC

### CUBUS replacement toilet roll holder

Model line: **CUBUS** | **CUBX211HP**



#### **CUBX211HP**

CUBUS replacement toilet roll holder

Spare toilet roll holder for wall mounting, 304 stainless steel, square covers with drilled hole on bottom for fixation, includes stainless steel screws and dowels.  
Surface high polished  
Dimensions 165 x 54 x 85 mm (W x H x D)

#### **Technical data**

Filling quantity	1
Lock	No lock
Material	Stainless steel
Material code	1.4301 chrome nickel steel V2A
Overall depth	85mm
Overall height	54mm
Overall width	165mm
Spindle	No
Surface finish	High polished
Type of fixing	Screw
Type of mounting	Wall mounting