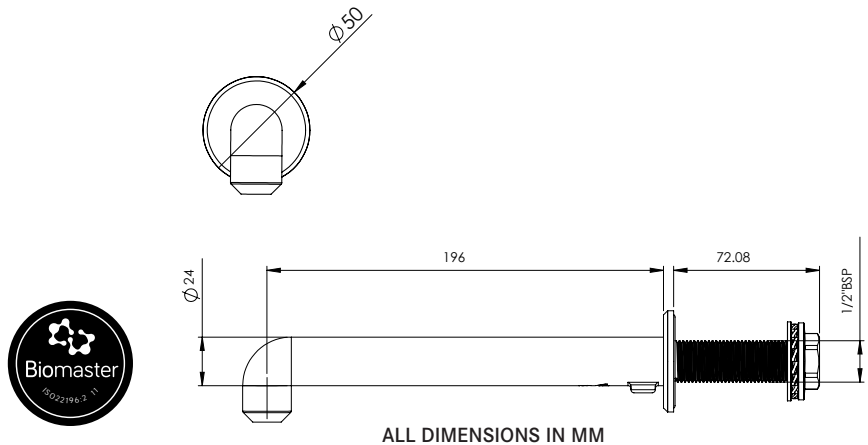


MEDI-SPOUT™ 90°

1 Year Pack, c/w Spigot

AT07-140

The Medi Spout™ range has been designed to meet the high standard of hand wash hygiene demanded by hospitals. This range is perfectly suited for Healthcare environments, food sectors and more where hand hygiene is of the utmost importance.



PRODUCT NUMBER

AT07-140 Medi-Spout™ 90° - 1 Year Pack c/w Spigot

TECHNICAL DATA

Type of tap	Removable spout
Material	ABS with Biomaster Silver Ion Technology
Surface finish	Moulded finish
Gross weight (incl. spigot)	0.35kg (spigot 0.15kg / spout 0.2kg)
Operation type	Separate sensor
Outlet	Open outlet
Type of mounting	Wall mounted spigot
Type of mixing	Additional TMV required
Spout projection	196mm
Water connection	Push fit onto Spigot & 1/2" BSP or 15mm compression

ADDITIONAL FEATURES

Rotation locking grub screw

ADDITIONAL INFORMATION

Spouts also available in white, please see www.dartvalley.co.uk for more information.

