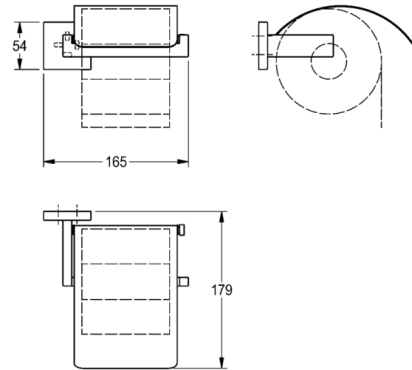


CUBUS toilet roll holder

MODEL RANGE: CUBUS | CUBX111HP | 241.0488.586

Accessoires Hotel & Residential | WC roll holder Hotel & Res.



Toilet roll holder for wall mounting, 304 stainless steel, for 1 roll with max. diameter 130 mm, stainless steel folding cover, square cover with drilled hole on bottom for fixation, includes stainless steel screws and dowels.

Surface high polished

Dimensions 165 x 54 x 179 mm (W x H x D)

Technical data

Overall depth	179.00 mm
Overall height	54.00 mm
Overall width	165.00 mm
Material	Stainless steel
Material code	1.4301 Chrome Nickel steel V2A
Tailor made	No
Surface finish	High polished
Type of fixing	Screw
Filling quantity	1.00000
Lock	No lock
Spindle	No
Product code	241.0488.586