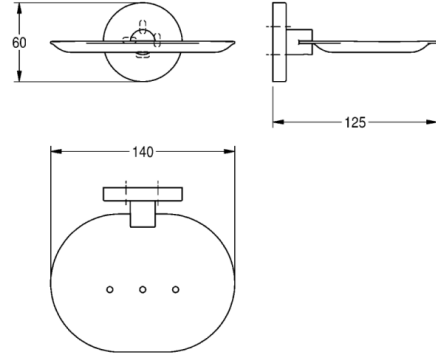


FIRMUS soap tray

MODEL RANGE: FIRMUS | FIRX107HP | 241.0488.594

Accessoires Hotel & Residential | Tumbler & soap holder



Soap dish for wall mounting, 304 stainless steel, round covers with drilled hole on bottom for fixation, includes stainless steel screws and dowels.

Surface high polished

Dimensions 140 x 60 x 125 mm (W x H x D)

Technical data

Overall depth	125.00 mm
Overall height	60.00 mm
Overall width	155.00 mm
Material	Stainless steel
Material code	1.4301 Chrome Nickel steel V2A
Tailor made	No
Surface finish	High polished
Type of fixing	Screw
Product code	241.0488.594