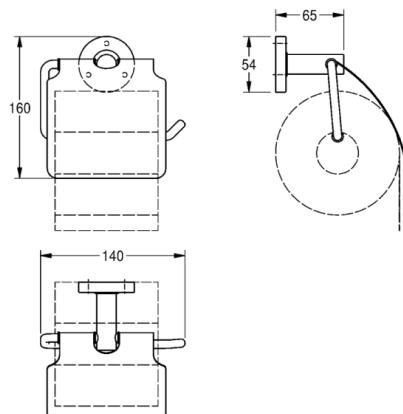


MEDIUS toilet roll holder

MODEL RANGE: MEDIUS | MEDX111HP | 241.0488.609

Accessoires Hotel & Residential | WC roll holder Hotel & Res.



Toilet roll holder for wall mounting, 304 stainless steel, for 1 roll with max. diameter 130 mm, stainless steel folding cover, round cover to conceal the fixing of screws, includes stainless steel screws and dowels.

Surface high polished

Dimensions 140 x 160 x 65 mm (W x H x D)

Technical data

Overall depth	66.00 mm
Overall height	160.00 mm
Overall width	140.00 mm
Material	Stainless steel
Material code	1.4301 Chrome Nickel steel V2A
Tailor made	No
Surface finish	High polished
Type of fixing	Screw
Filling quantity	1.00000
Lock	No lock
Spindle	No
Product code	241.0488.609