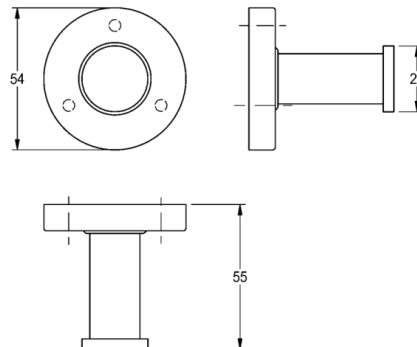


MEDIUS robe hook

MODEL RANGE: MEDIUS | MEDX010HP | 201.0488.607

Accessoires Hotel & Residential | Towel & robe holder Hotel



Single robe hook for wall mounting, 304 stainless steel, round cover to conceal the fixing of screws, includes stainless steel screws and dowels.

Surface high polished

Dimensions 54 x 54 x 55 mm (W x H x D)

Technical data

Overall depth	55.00 mm
Overall height	54.00 mm
Overall width	54.00 mm
Material	Stainless steel
Material code	1.4301 Chrome Nickel steel V2A
Tailor made	No
Surface finish	High polished
Type of fixing	Screw
Number of hooks	1.00000
Product code	201.0488.607