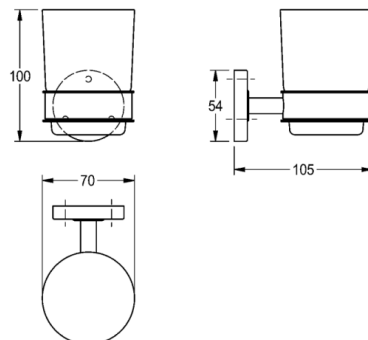


MEDIUS tumbler holder

MODEL RANGE: MEDIUS | MEDX006HP | 241.0488.605

Accessoires Hotel & Residential | Tumbler & soap holder



Tumbler holder for wall mounting, 304 stainless steel, glass cup, round covers to conceal the fixing of screws, includes stainless steel screws and dowels.

Surface high polished

Dimensions 70 x 100 x 105 mm (W x H x D)

Technical data

Overall depth	105.00 mm
Overall height	100.00 mm
Overall width	70.00 mm
Material	Stainless steel
Material code	1.4301 Chrome Nickel steel V2A
Tailor made	No
Surface finish	High polished
Product code	241.0488.605