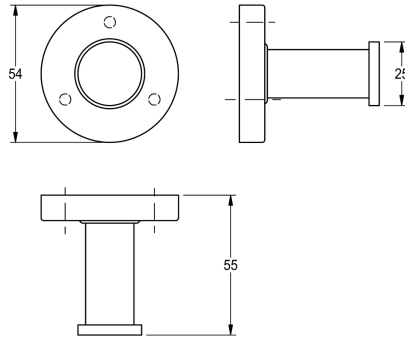


KWC

MEDIUS Robe hook

Model line: MEDIUS | **MEDX010HP**



MEDX010HP

Robe hook

Single robe hook for wall mounting, 304 stainless steel, round cover to conceal the fixing of screws, includes stainless steel screws and dowels.

Surface high polished

Dimensions 54 x 54 x 55 mm (W x H x D)

Technical data

Material	Stainless steel
Material code	1.4301 chrome nickel steel V2A
Overall depth	55mm
Overall height	54mm
Overall width	54mm
Surface finish	High polished
Type of fixing	Screw
Type of mounting	Wall mounting
Tailor made	No