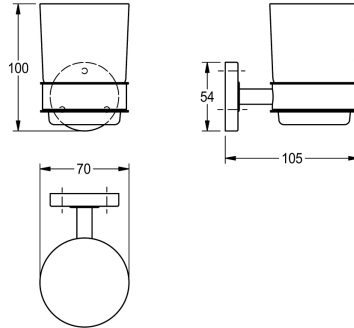


MEDIUS tumbler holder

Model line: MEDIUS | **MEDX006HP**



MEDX006HP

Tumbler holder

Tumbler holder for wall mounting, 304 stainless steel, glass cup, round covers to conceal the fixing of screws, includes stainless steel screws and dowels.

Surface high polished

Dimensions 70 x 100 x 105 mm (W x H x D)

Technical data

Overall depth	105mm
Overall height	100mm
Overall width	70mm
Material	Stainless steel
Material code	1.4301 chrome nickel steel V2A
Tailor made	No
Type of mounting	Wall mounted