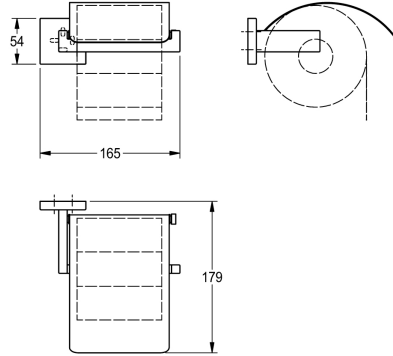


## KWC

### CUBUS toilet roll holder

Model line: **CUBUS** | **CUBX111HP**



#### **CUBX111HP**

CUBUS toilet roll holder

Toilet roll holder for wall mounting, 304 stainless steel, for 1 roll with max. diameter 130 mm, stainless steel folding cover, square cover with drilled hole on bottom for fixation, includes stainless steel screws and dowels.

Surface high polished

Dimensions 165 x 54 x 179 mm (W x H x D)

#### **Technical data**

Filling quantity	1
Lock	No lock
Material	Stainless steel
Material code	1.4301 chrome nickel steel V2A
Overall depth	179mm
Overall height	54mm
Overall width	165mm
Spindle	No
Surface finish	High polished
Tailor made	No
Type of fixing	Screw
Type of mounting	Wall mounting