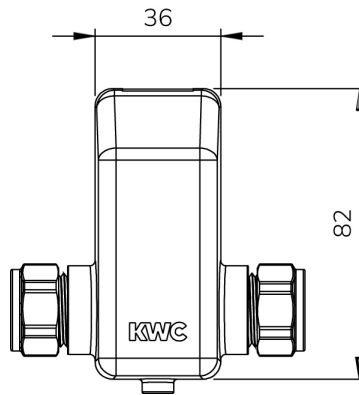


KWC

Anti-microbial single station kit - battery



AT00-220

Anti-microbial single station kit - battery

Automatic taps single station mains kit for standard pressure systems (1-7 BAR). Kit includes battery pack and 6 Volt DC latching valve with all wetted parts being anti-microbial Biomaster protected.

Technical data - Battery pack

Material	ABS
Overall dimensions	54mm (l) x 45mm (w) x 30mm (d)
Cable length	500mm
Power source	CRP2 Lithium
Power output	6V
Electrical connection	M8

Technical data - Solenoid valve

Gross weight	0.2kg
Material	Plastic with biomaster protection
Voltage	6V DC
Power	2W
Working temperature range	0°C to 90°C
Maximum working pressure	7 bar: static
Minimum working pressure	1 bar
Connection	15mm compression fitting
Latching pulse	25ms
Pressure rating	7 bar
Operation type	Latching
Electrical connection	M8 Speed connection / cable Ø 6mm