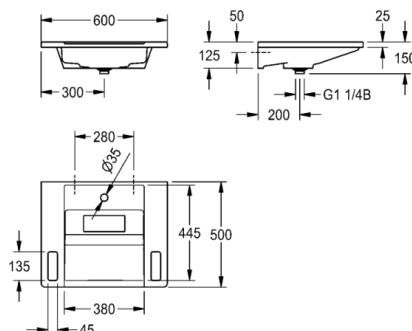
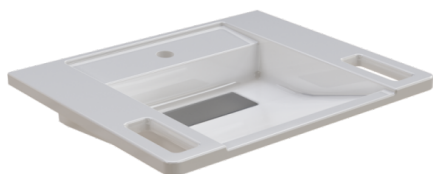


EXOS. single washbasin, barrier-free

MODEL RANGE: EXOS | ANMW0001 | 203.0000.000

Washbasins & Washtroughs | Wash basins



EXOS. single washbasin, wheelchair accessible, made of MIRANIT resin-bonded mineral material with pore-free, smooth gelcoat high-pol ished surface (temperature-resistant up to 80 °C). Colour Alpine white, with integrated grab rails, storage surfaces. Mounting on washbasin back panel. It has a seamless moulded bowl, no overflow and lowered tap ledge with tap hole. Mounting material, strainer waste G 1 1/4 B, anti-theft device for waster cover with InoxPlus coating included.

Dimensions 600 x 125 x 500 mm (W x H x D)

Bowl dimensions 380 x 90 x 340 mm (W x H x D)

Technical data

Bowl height	90.00 mm
Bowl depth	340.00 mm
Bowl width	380.00 mm
Overall depth	500.00 mm
Overall height	125.00 mm
Overall width	600.00 mm
Tap hole diameter	35.00 mm
Material	Mineral material
Material code	Miranit
Tailor made	No
Tap hole position	Middle
Tap ledge	Yes
Waste hole position	Center back
Bowl position	Center
Bowl shape	Rectangle
Colour	Alpinewhite
Number of bowls	1.00000
Overflow	No
Rear upstand	No
Siphon included	No
Number of tap holes	1.00000
Waste kit included	Yes
Waste size	DN 32
Barrier-free	Yes
Type of basin	Single compartment
Product code	203.0000.000



EXOS. single washbasin, barrier-free

MODEL RANGE: EXOS | ANMW0001 | 203.0000.000

Washbasins & Washtroughs | Wash basins

Spare Parts



Strainer waste

2000100854

ZANMW901
