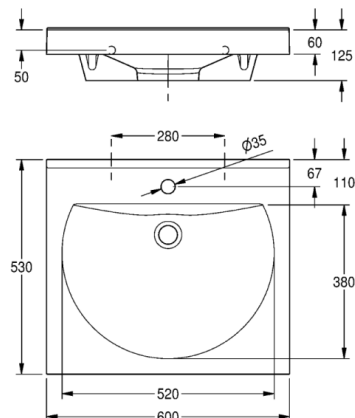
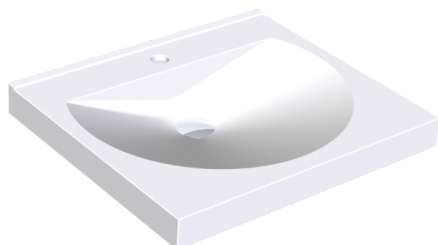


# RONDA single washbasin

MODEL RANGE: RONDA | ANMW211 | 203.0000.130

Washbasins & Washtroughs | Wash basins



RONDA single washbasin made of MIRANIT resin-bonded mineral material with smooth and pore-free surface (temperature-resistant up to 80 °C). Colour Alpine white. With seamless round bowl, flattened out at the rear, without overflow. Mounting on washbasin back panel. Rear contoured edge. Three-sided apron 60 mm (H). With tap hole 35 mm (D). Mounting material included.

Dimensions 600 x 125 x 530 mm (W x H x D)

Bowl dimensions 520 x 90 x 380 mm (W x H x D)

## Technical data

Bowl height	90.00 mm
Bowl depth	380.00 mm
Bowl width	520.00 mm
Overall depth	530.00 mm
Overall height	125.00 mm
Overall width	600.00 mm
Waste hole projection	185.00 mm
Tap hole diameter	35.00 mm
Material	Mineral material
Material code	Miranit
Tailor made	No
Tap hole position	Middle
Tap ledge	Yes
Waste hole position	Center back
Bowl position	Center
Bowl shape	Circle with straight sides
Colour	Alpinewhite
Number of bowls	1.00000
Overflow	No
Rear upstand	Yes
Siphon included	No
Splash back	No
Number of tap holes	1.00000
Waste kit included	No
Waste size	DN 32
Product code	203.0000.130



# RONDA single washbasin

MODEL RANGE: RONDA | ANMW211 | 203.0000.130

Washbasins & Washtroughs | Wash basins

---

## Accessory Optional

---



---

**Strainer waste**

2000100854

ZANMW901

---



---

**Dome waste valve**

2000100861

ZANMW900

---



---

**Trap**

2000057417

XINX140

---