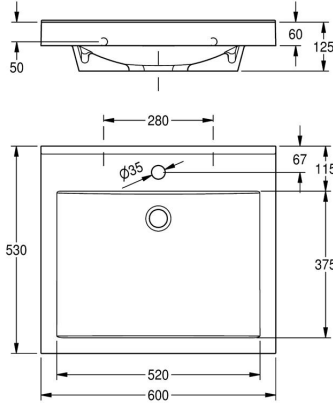


KWC

QUADRO Single Washbasin

Model line: QUADRO | **ANMW411**



ANMW411

With 35mm diameter tap hole

QUADRO single washbasin made of MIRANIT resin-bonded mineral material, with smooth, pore-free surface (temperature-resistant up to 80 °C). Colour Alpine white. With seamless, rectangular bowl without overflow. Mounting on washbasin backpanel. Rear contoured edge. Three-sided apron 60 mm (H). With tap hole 35 mm (D). Mounting material included.

Dimensions 600 x 125 x 530 mm (W x H x D)
Bowl dimensions 520 x 40/90 x 375 mm (W x H x D)

Technical data

Bowl position	Center
Bowl - bowl height	90 mm
Bowl - depth	375 mm
Bowl shape	Rectangle
Bowl - width	520mm
Colour	Alpine white
Material	Mineral material
Material code	Miranit
Overall depth	530mm
Overall height	125mm
Overall width	600mm
Overflow	No
Rear upstand	Yes
Siphon included	No
Splash back	No
Number of tap holes	1
Tap hole diameter	35mm
Tap hole position	Middle
Tap ledge	Yes
Type of mounting	Wall mounting
Waste hole position	Center back
Waste hole projection	185mm
Waste kit included	No
Waste size	DN 32

KWC

QUADRO Single Washbasin

Model line: QUADRO | **ANMW411**

Optional Accessories



Strainer waste

ZANMW901



Dome waste valve

ZANMW900



Drain and overflow set

ZANMW902



Trap

XINX140