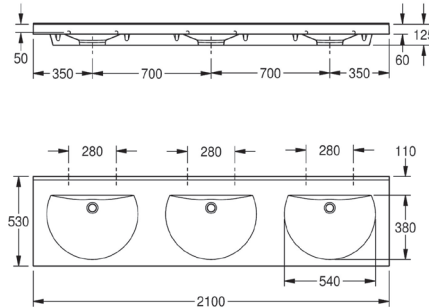


KWC

RONDA Triple washbasin without tap holes

Model line: **RONDA** | **ANMW230**



ANMW230

RONDA Triple washbasin without tap holes

RONDA triple washbasin made of MIRANIT resin-bonded mineral material with smooth, pore-free surface (temperature-resistant up to 80 °C). Colour Alpine white. With three seamless round bowls, flattened out at the rear, without overflow. Mounting on washbasin back panel. Rear contoured edge. Three-sided apron 60 mm (H). Without tap holes. Mounting material included.

Dimensions 2100 x 125 x 530 mm (W x H x D)
Bowl dimensions 540 x 90 x 380 mm (W x H x D)

Technical data

Bowl position	Center
Bowl height	90mm
Bowl depth	380mm
Bowl shape	Circle with straight sides
Bowl width	540mm
Colour	Alpine white
Material	Mineral material
Material code	Miranit
Overall depth	530mm
Overall height	125mm
Overall width	2,100mm
Overflow	No
Rear upstand	Yes
Siphon included	No
Splash back	No
Type of mounting	Wall mouting
Waste hole position	Center back
Waste hole projection	185mm
Waste kit included	No
Waste size	DN 32
Tap ledge	Yes
Distance between bowls	700mm

KWC

RONDA Triple washbasin without tap holes

Model line: **RONDA** | **ANMW230**

Optional accessories



Strainer waste

ZANMW901
Vanity top



Dome waste valve

ZANMW900
Vanity top



Drain and overflow set

ZANMW902
Vanity top



Trap

XINX140
Vanity top