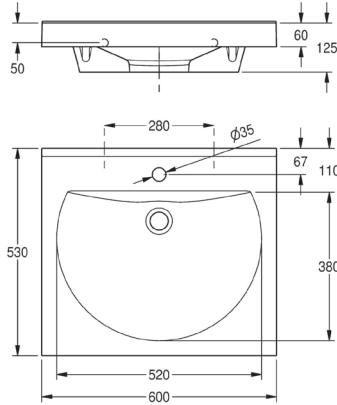


## KWC

### RONDA Single washbasin with tap holes

Model line: **RONDA** | **ANMW211**



#### ANMW211

RONDA Single washbasin with tap holes

RONDA single washbasin made of MIRANIT resin-bonded mineral material with smooth and pore-free surface (temperature-resistant up to 80 °C). Colour Alpine white. With seamless round bowl, flattened out at the rear, without overflow. Mounting on washbasin back panel. Rear contoured edge. Three-sided apron 60 mm (H). With tap hole 35 mm (D). Mounting material included.

Dimensions 600 x 125 x 530 mm (W x H x D)  
Bowl dimensions 520 x 90 x 380 mm (W x H x D)

#### Technical data

Bowl position	Center
Bowl height	90mm
Bowl depth	380mm
Bowl shape	Circle with straight sides
Bowl width	520mm
Colour	Alpine white
Material	Mineral material
Material code	Miranit
Overall depth	530mm
Overall height	125mm
Overall width	600mm
Overflow	No
Rear upstand	Yes
Siphon included	No
Splash back	No
Type of mounting	Wall mouting
Waste hole position	Center back
Waste hole projection	185mm
Waste kit included	No
Waste size	DN 32
Tap ledge	Yes
Number of tap holes	1
Tap hole diameter	35mm
Tap hole position	Middle

## KWC

### RONDA Single washbasin with tap holes

Model line: **RONDA** | **ANMW211**

#### Optional accessories



#### Strainer waste

**ZANMW901**  
Vanity top



#### Dome waste valve

**ZANMW900**  
Vanity top



#### Drain and overflow set

**ZANMW902**  
Vanity top



#### Trap

**XINX140**  
Vanity top