

# SAFE ENSUITE BASIN

Single Outlet - Cold Sensor

VR01-091

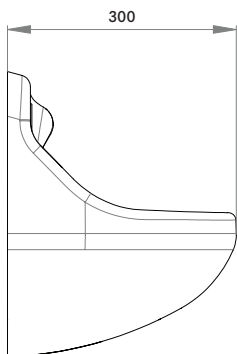
Integrated Basin; moulded impact resistant construction, vandal and ligature resistant, suitable for mental healthcare, healthcare and custodial applications.

## PRODUCT NUMBER

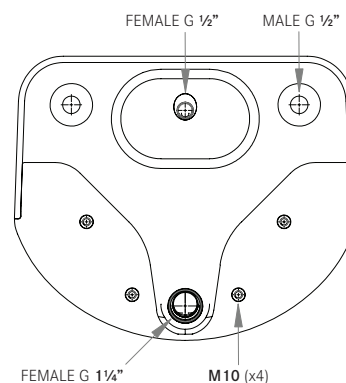
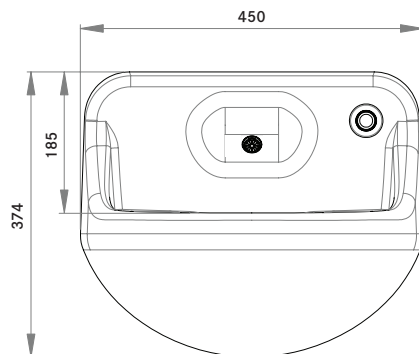
VR01-091

## TECHNICAL DATA

|                     |   |
|---------------------|---|
| Material            | High Performance Composite material   |
| Gross weight        | 10.00 kg  |
| Overall dimensions  | 450mm (w) x 374mm (h) x 300mm (d)   |
| Type of mounting    | 4 x 10mm Stainless Steel allthread studding (incl.)   |
| Dual function       | Basin and moulded soap shelves  |
| Tap outlets         | Pressure compensating 5 L/min   |
| Water channel       | Integrated stainless steel water spout  |
| Waste outlet        | Rear concealed waste outlet (requires 1 1/4"/32mm running trap)   |
| Waste grid          | Stainless Steel anti-ligature   |
| Additional features | Wave-on and tactile sensors available separately<br>Fixing kit for IPS panels provided, optional kits available |



ALL DIMENSIONS IN MM



Last updated:  
2018-01-22, Dart Valley Systems

**DVS**  
Dart Valley Systems  
a FRANKE company