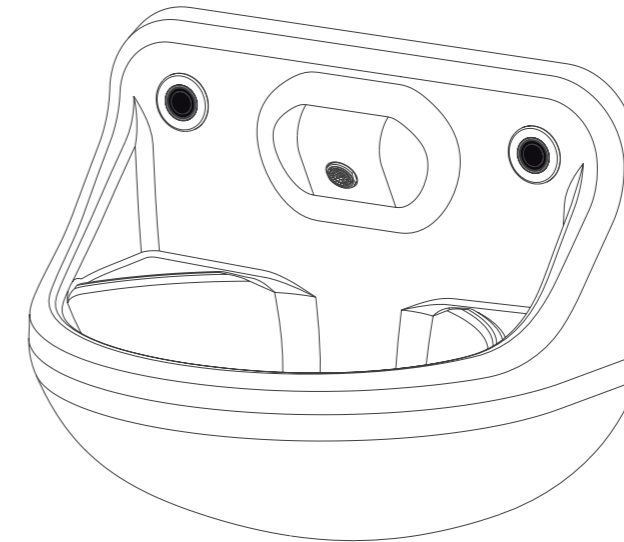


Safe Ensuite Integrated Basin - Single Outlet

Installation instructions

- VR01-090 - Hot & Cold Sensor
- VR01-091 - Cold Sensor
- VR01-092 - Hot Sensor



Step 1 : Safety first

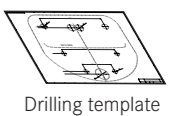
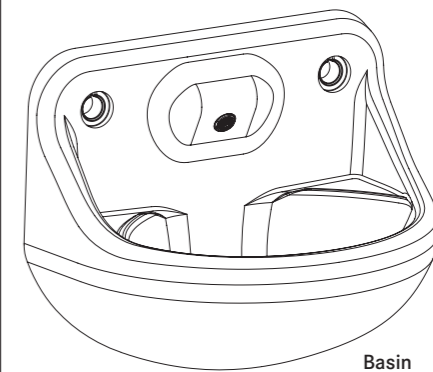
These instructions relate to the use of the Intergrated Basin and Backplate only, any external or 'add-on' parts will be supplied with separate instructions.

It is recommended that the electrical part of the installation be carried out by a qualified electrician in accordance with the latest electrical regulations. It is also recommended that any plumbing is carried out by a qualified plumber.

IMPORTANT : Please read these instructions carefully and follow each stage in order!



Step 2 : Parts



Basin

- Waste grid
VR01-032 (x1)
- Waste bung
VR01-033 (x1)
- 1 1/4" plastic
male iron
PP00-123 (x1)
- Square fixing
washer (sensors)
PP00-563 (x2)

The fixing kit supplied is suitable for fixing to IPS panels up to 25mm thick. **For brick or concrete walls please see options below:**

- VR01-006 Fixing kit for 100mm walls
- VR01-007 Fixing kit for 150mm walls
- VR01-008 Fixing kit for 250mm walls

Each kit includes:
 4 x 10mm Steel threads
 2 x 1/2" BSP Brass threads (for sensors)

- Square washer
PP00-031 (x4)
- M10 hex nut
PP00-114 (x4)
- M10 A11 thread
PP00-210 (x4)

- Optional Parts
(Not Included)
- Steel BSP thread
(for sensors)
PP00-565 (x2)
 - Waterway fixing
washer
PP00-564

Step 3 : Wall Preparation & Drilling Template

Locating correct position

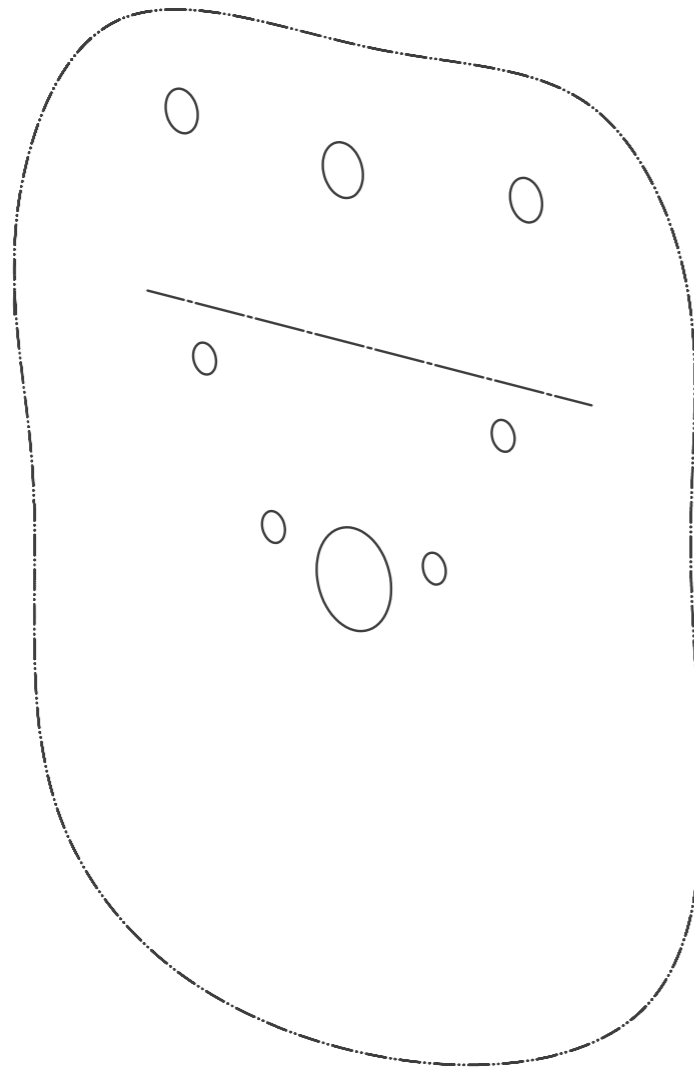
Please note - Maximum cable runs

Routing of cables back to the control box should be planned at this stage.

Temporarily fix the drilling template at the correct height using masking tape.

NOTE : As a guide, UK guidelines recommend a distance from the rim of the basin to the floor of between 780 and 800mm (standard use) / 720 and 740mm (disabled use). Use rim line on the drilling template.

Drill through the marked areas on the template. Remove the template, then secure the basin with the fixings as shown under step.4 and 5.



Step 8 : Cleaning

This product should be cleaned daily with warm soapy water, then rinsed with cold water. If desired, this product can be dried using a soft non-abrasive cloth.

The gel coat has a high gloss surface. Abrasive cleaners and scouring powders should be avoided, as long term, these products will scratch and damage the gel coat.

Non abrasive cleaning agents can be used, however, we recommend testing the product first in an inconspicuous area first to ensure ensure compatibility- checking there is no deterioration in the surface quality. Any cleaning products should be used as per the manufacturers instructions.

If bleach is used to sanitise the product, it is important to rinse it away with a copious amount of water. Bleach should not be left in contact with the product for a long period of time.

Care should be taken to avoid contact with the following chemicals as they can damage the gel coat; paint strippers, strong disinfectants, alcohol, aftershave, perfumes, nail varnishes and their removers.

If in doubt please contact DVS direct for further advice.

Warranty & Support

Warranty

The Safe Ensuite Integrated Basin is guaranteed for 5 years from purchase against defective material and assembly.

Support

For technical support please visit our technical pages on our website at www.dartvalley.co.uk or contact us:

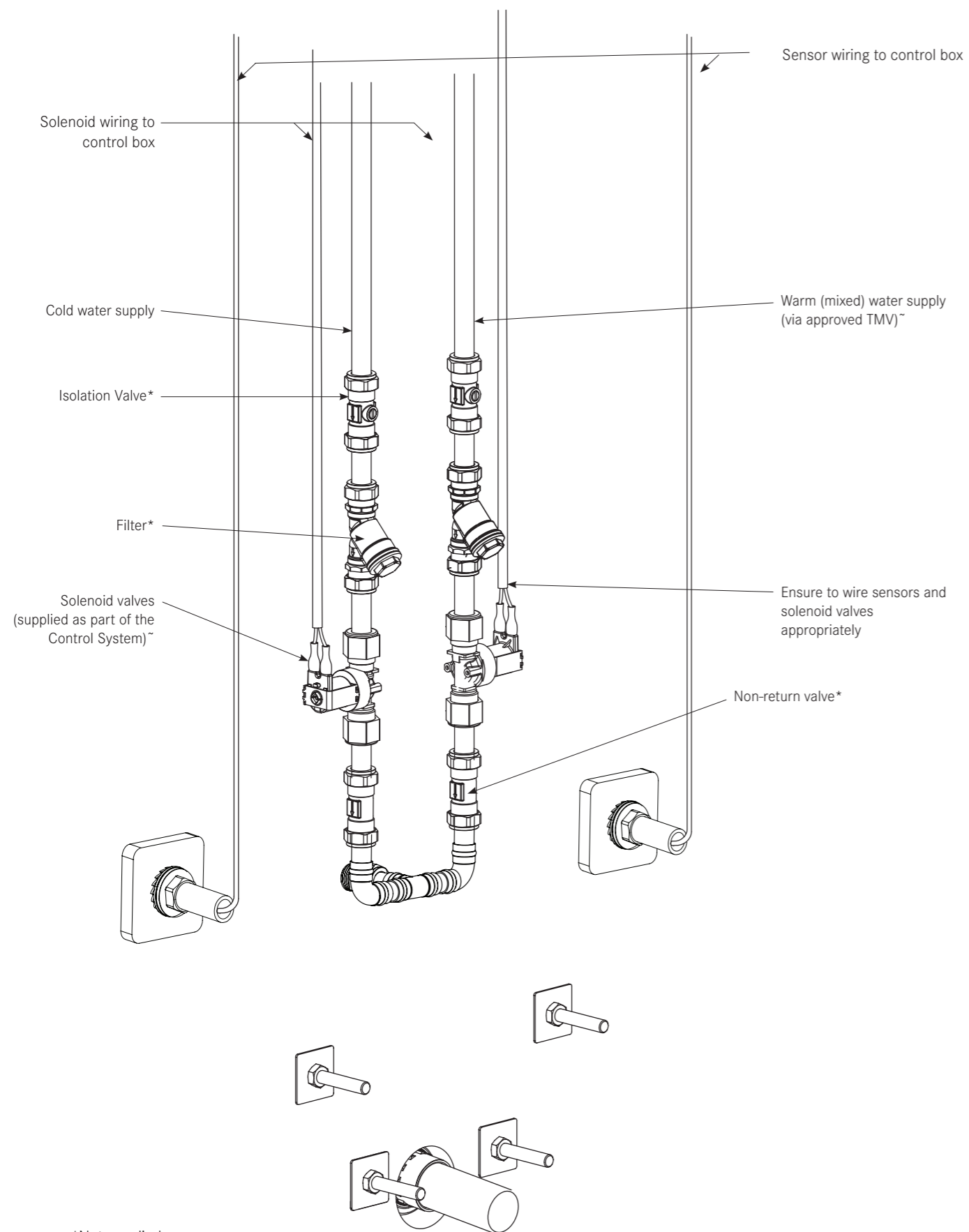
techsupport@dartvalley.co.uk

+44 (0)1803 529021

Head Office

Dart Valley Systems Ltd
Kemings Close
Long Road
Paignton
Devon
TQ4 7TW
UK

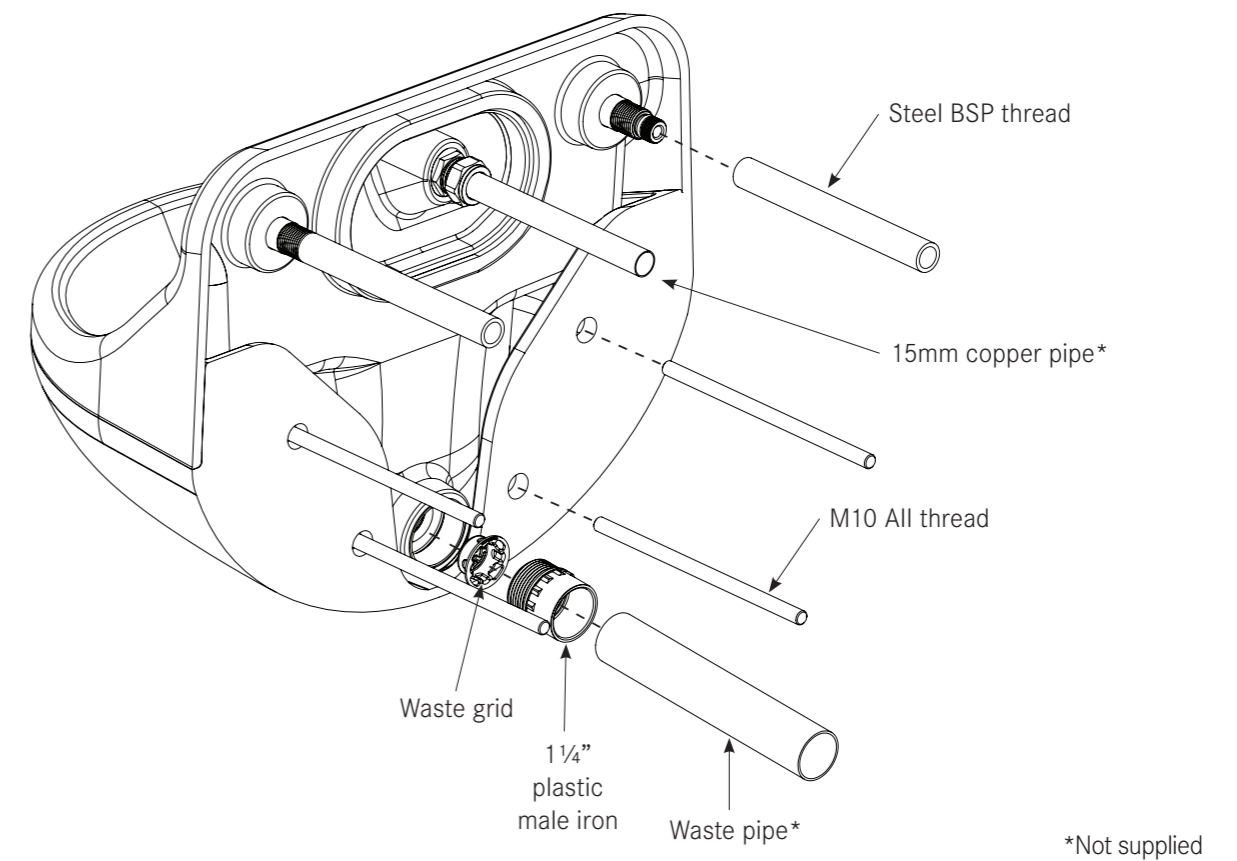
Step 7 : Typical Installation - Dual Sensor



*Not supplied
~Sold sperately

Step 4 : Fittings Installation

Install fittings as shown, ensuring the M10 threads are screwed fully into the basin, and that the waste male iron adaptor must be fully tightened to secure the waste grid firmly in position. Secure basin with M10 nuts to 10 Nm.

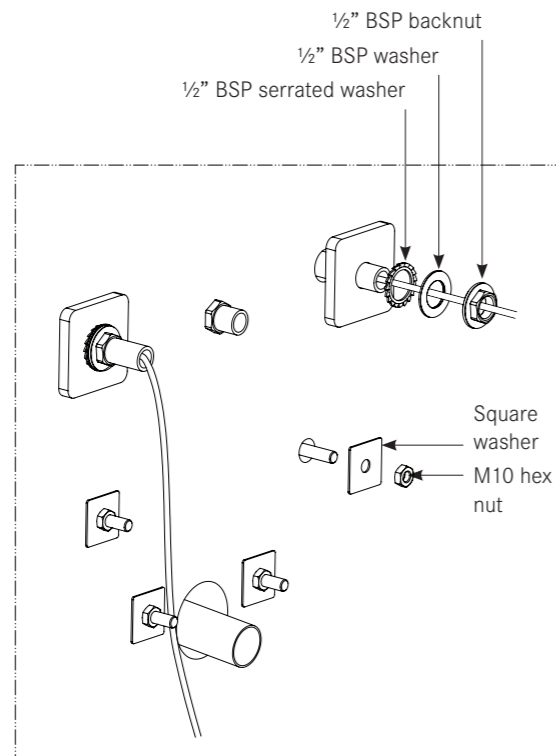
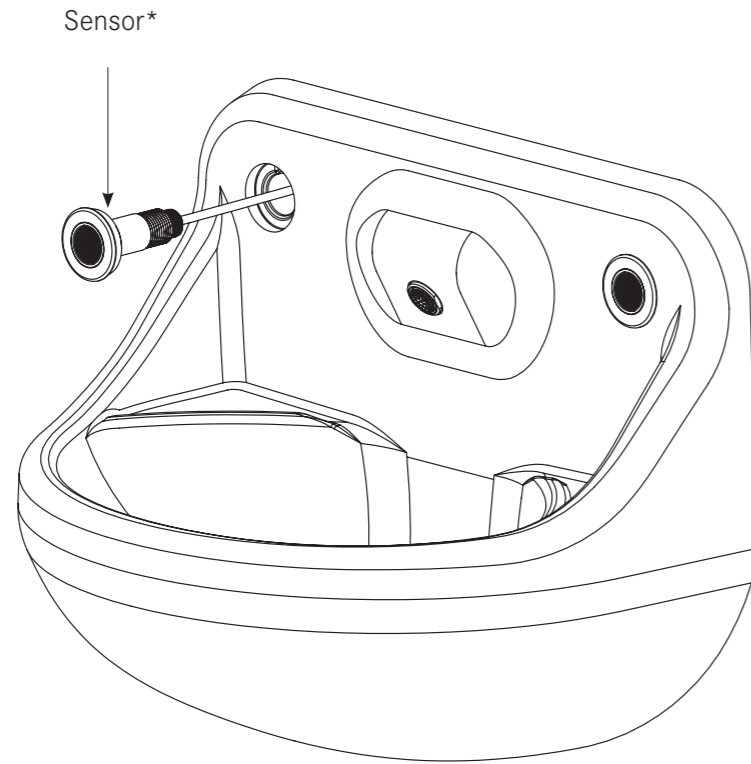


*Not supplied

IMPORTANT : The fixings on this basin must be tightened to the recommended settings as per these instructions. It is also important that the sensors are not over tightened during step.5.

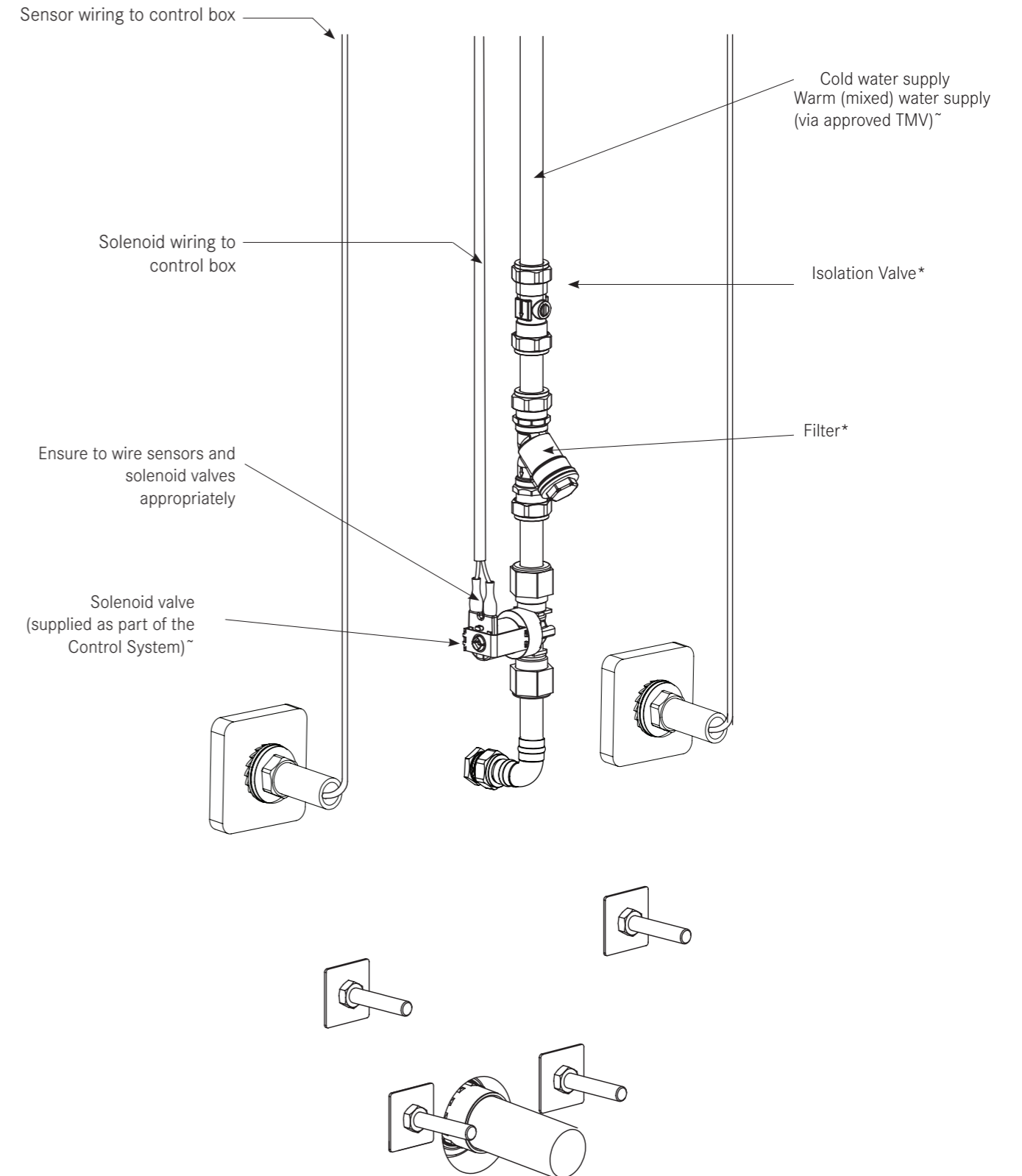
Step 5 : Sensor Installation

To fit sensor securely, tighten the ½" BSP backnut by hand as far as possible. Using a spanner tighten the backnut a further ½ turn.



*Sold seperately

Step 6 : Typical Installation - Single Sensor



*Not supplied
~Sold seperately