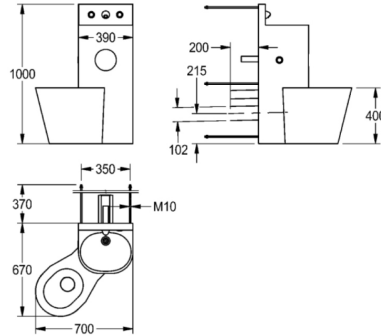


KWC

Toilet and sink combination unit



AC04-044

Toilet and sink combination unit

WC Combination Unit for "against wall" installations. Complete with Integrated automatic spout and Tactile operation switches with removable access panel.

Technical data

Material	Stainless steel
Material code	1.4301 chrome nickel steel V2A
Surface finish	Satin finish
Overall dimensions	700 x 1000 x 670mm (w x h x d)
Material thickness	Body - 2mm / WC - 1.5mm
Spout operation	Tactile switches (Hot - AC02-047 / Cold - AC02-046)
Spout length	83mm
WC flush operation	Tactile switch - (Cold - AC02-046)
Upper edge of basin height	850mm
Upstand depth	20mm
Upstand height	150mm
WC height	400mm
Type of mounting	Bolt mounted
Outlet size	DN 50 / DN 100
Inlet size	DN 15
Toilet seat info	Integrated seat
Flushing equipment	2" Flushvalve (WC01-023) 2" Concealed Cistern (WC02-012)
Pipework material	Stainless steel
Power supply	Through washroom control box
Additional features (via control box - VR07-002)	
Adjustable run time	Yes* Defined by control box settings
Anti-vandal function	Yes*
Lockout function	Yes, default OFF*
Chlorination function	Yes*
Automatic purge function	Yes, default OFF*