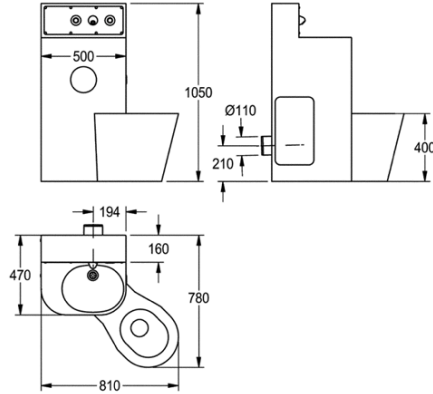


## KWC

### Toilet and sink combination unit



#### AC04-040

Toilet and sink combination unit

WC Combination Unit for "against wall" installations. Complete with Integrated automatic spout and Tactile operation switches with removable access panel.

#### Technical data

Material	Stainless steel
Material code	1.4301 chrome nickel steel V2A
Surface finish	Satin finish
Overall dimensions	810 x 1050 x 780mm (w x h x d)
Material thickness	Body - 2mm / WC - 1.5mm
Spout operation	Tactile switches (Hot - AC02-047 / Cold - AC02-046)
Spout length	83mm
WC flush operation	Tactile switch - (Cold - AC02-046)
Upper edge of basin height	850mm
Upstand depth	160mm
Upstand height	200mm
WC height	400mm
Type of mounting	Wall mounted
Outlet size	DN 50 / DN 100
Inlet size	DN 15
Toilet seat info	Integrated seat
Flushing equipment	Flushvalve (WC01-028) WC Cistern
Pipework material	Stainless steel
Power supply	Through washroom control box
<b>Additional features (via control box - VR07-002)</b>	
Adjustable run time	Yes* Defined by control box settings
Anti-vandal function	Yes*
Lockout function	Yes, default OFF*
Chlorination function	Yes*
Automatic purge function	Yes, default OFF*